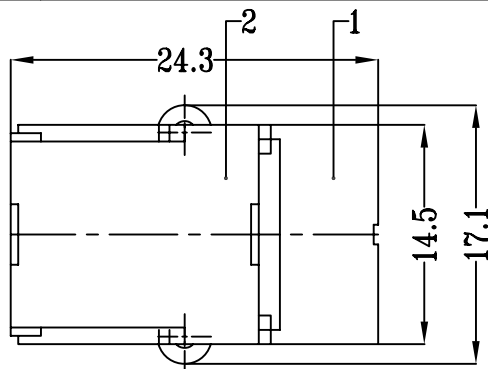
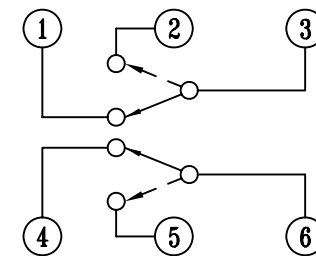


CAD FILE:



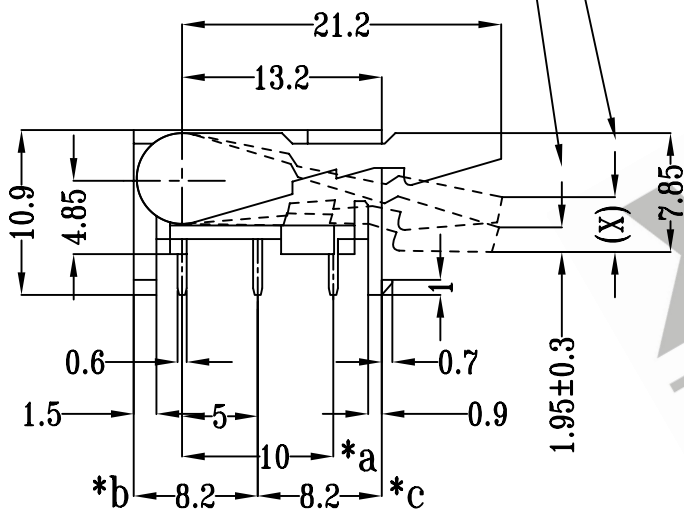
TIMING LAG DIAGRAM

①	③	ON	OFF
②	③	OFF	ON
④	⑥	ON	OFF
⑤	⑥	OFF	ON



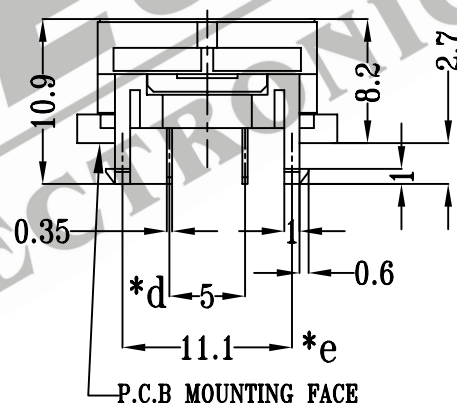
SCHEMATIC

TRAVEL POSITION  
TOTAL TRAVEL POSITION

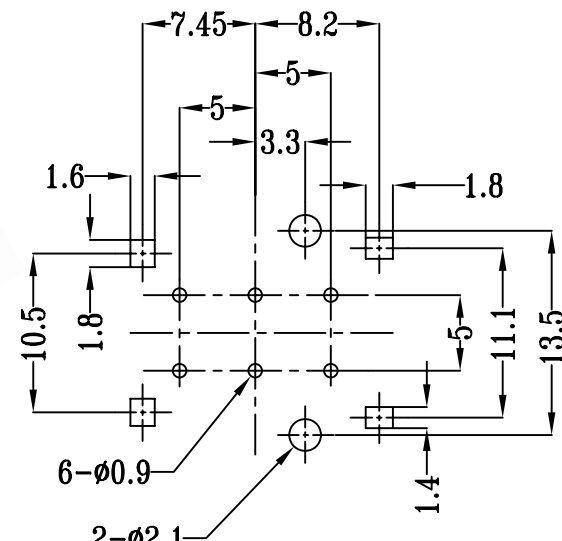


6.85 6.05 3.75 2.65 (mm)  
MAX MIN

TRAVEL POSITION(X) (MM)



P.C.B MOUNTING FACE



P.C.B LAYOUT

注:带"\*"表示关键尺寸(5个)

8					TOLERANCE UNLESS SPECIFIED	SHENZHEN XIEJIA ELECTRONICS CO.,LTD.				
7	TERMINAL	NYLON/0.33mm BRASS STRIP	2	BLACK/Ag PLATED	WITHIN: 1.5±0.1mm OVER : 1.5±0.2mm	ISSUE	DATE	DESCRIPTIONS		APPD.
6	CASE	NYLON 66 + FIBER 33%	1	BLACK				UNIT : MM		DRWG NO.:XJ-DR-HS22L01-00
5	SLIDER	NYLON 66 + FIBER 33%	1	BLACK				SCALE: 2 : 1		DWN. ZHOUYU 2005-12-8
4	SPRING	∅0.29mm SUS	1	TEMPER				TITLE : HOOK SWITCH		CHK'D FANGYING 2005-12-8
3	CONTACT CLIP	0.11mm PBS	2	Ag CLAD				MODEL: HS-22L01		APPD. KANGXINAN 2005-12-8
2	KNOB	POM	1	WHITE				ALL MATERIALS MUST BE COMPLIANT TO ROHS		
1	COVER	POM	1	BLUE						
NO.	PART NAME	MATERIAL	Q'TY	FINISHING						